



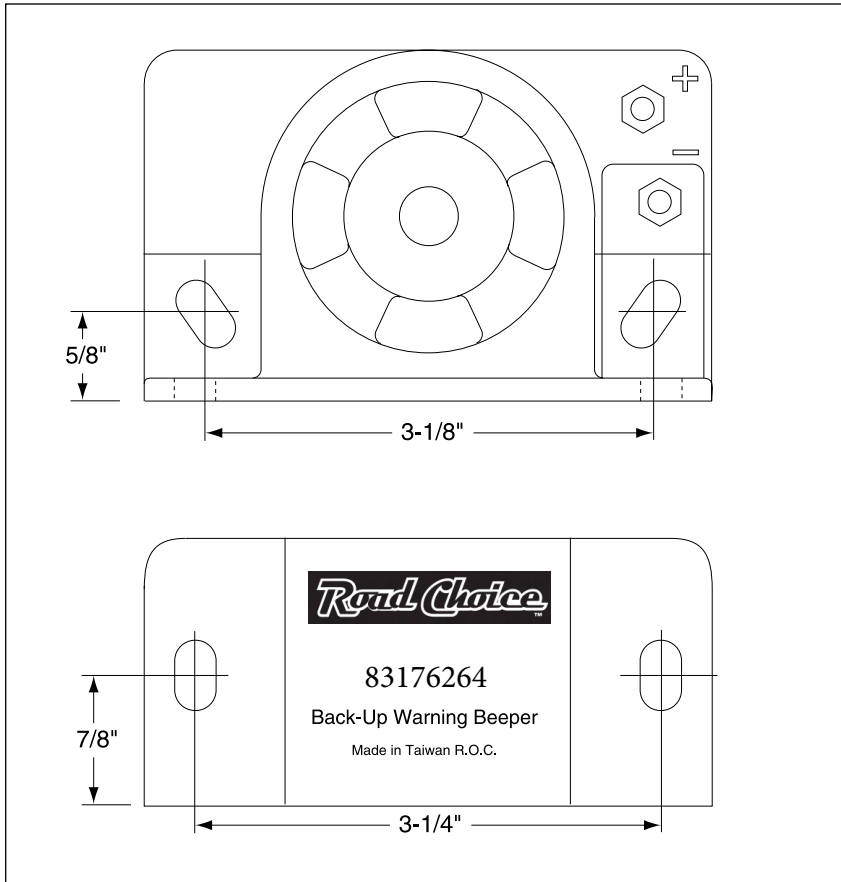
Back-Up Warning Alarm Installation Instructions

Models: 83176264

Warning!

Failure to install this back-up warning alarm properly may result in property damage, serious injury and or death to those you are seeking to protect. When installing this device you must verify that both sides of the mounting surface is clear of anything that could be damaged. Locate the back-up warning device so it will operate in adverse weather conditions. The location should provide protection from direct impact while allowing unobstructed sound projection.

The back-up warning alarm should be inspected daily at the beginning of each shift to insure it is working properly and is securely attached to the vehicle.



Installation

Select a mounting location near the rear of the vehicle that will provide protection from flying objects while allowing an unobstructed sound from the vehicle.

Use the back-up alarm housing as a template and mark the location for the mounting holes.

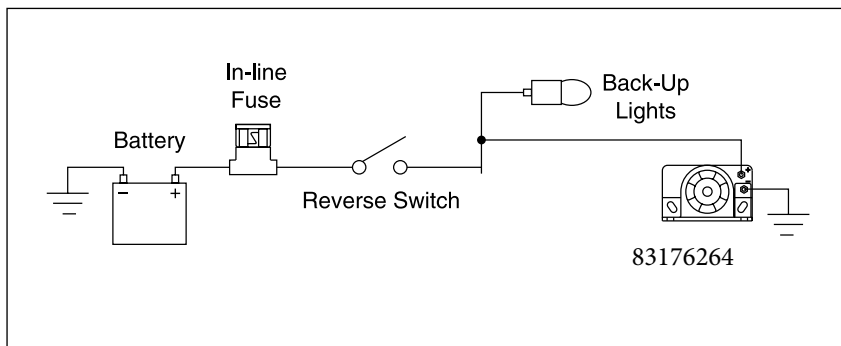
Drill holes at the location marks. (Some vehicle frames may be pre-punched with the necessary holes)

Secure the back-up warning alarm to the vehicle.

The back-up warning alarm should be connected to the vehicles back-up lights using 18 gauge wire. This allows the alarm to sound anytime the vehicle is in the reverse gear.

Note: This back-up alarm is sensitive to polarity. It will not operate if power connection is reversed.

1. Connect the positive (+) terminal onto the vehicles back-up light wire.
2. Connect the negative (-) terminal to ground. The design of the back-up warning alarm allows for self-grounding when mounting the housing. Be sure the ground connection is tight.
3. Test the back-up alarm for proper operation.
4. Add test to the back-up alarm before operating the vehicle to the daily maintenance log.



Specifications

Housing Black ABS
Dimensions 100mm (L) x 41mm (W) x 67mm (H)
Frequency 2.8kHz
Cycle Rate 1 Beep/Second
Normal Voltage 12V to 24 Volts

Decibel Rating

83176264 = 97dB - 102dB

Current Draw 300mA max

Operating Temperature -20C to 100C